

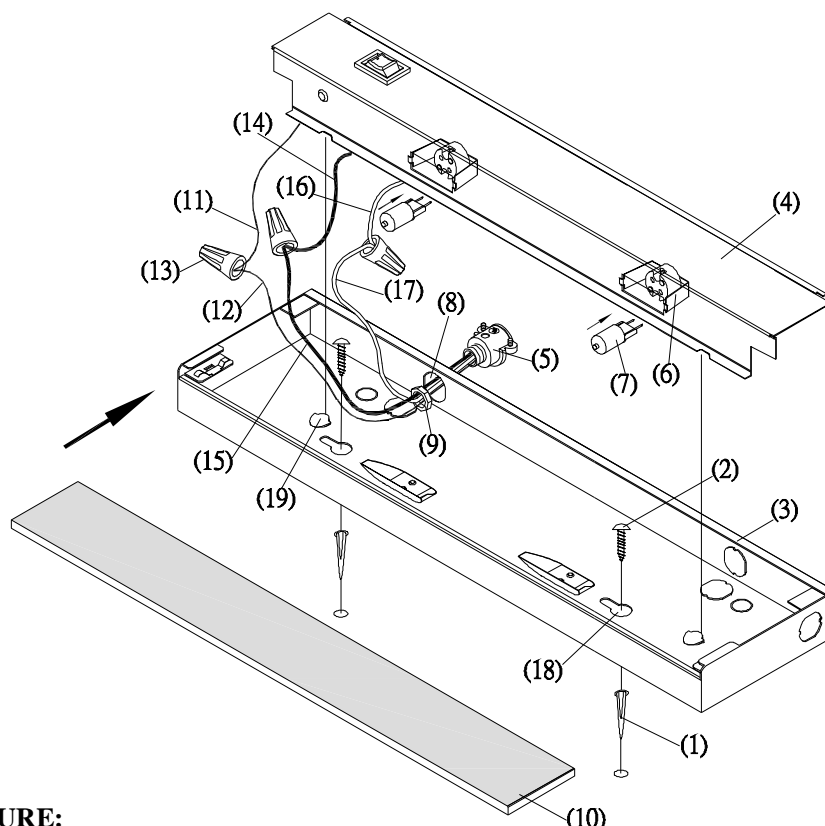
Xenon undercabinet fixtures

KEEP THIES INSTRUCTIONS FOR FUTURE REFERENC

INSTALLATION INSTRUCTIONS URGENT: READ PRIOR TO ATTEMPTING INSTALLATION

IMPORTANT SAFETY INSTRUCTION:

This equipment is intended to be installed only by qualified personnel. The installation must be made in accordance with the current edition to the National Electric Code and all applicable state and local building codes. Improper installation may result in a fire or electrical hazard. Be sure electrical power to the circuit has been disconnected before installing this electrical system.



TO INSTALL FIXTURE:

- A. Remove the glass diffuser (10) from the fixture by sliding out of retaining clips. Remove the wireway channel (4) from the fixture housing (3) by gently squeezing, releasing from mounting tabs (19).
- B. Insert the Connector (5) into the desired knockout (8) and attach to housing (3) using hex nut (9) provided. NOTE: Knockout (8) is removed by pressing on edge with a screwdriver.
- C. Locate housing (3) on desired surface and mark small end of key-hole slots, install anchors (1) and start mounting screws (2). Install housing (3) over mounting screws (2) and tighten.
- D. Insert 1/2" or 3/8" conduit (by others) through connector (5) and secure.
- E. Connect supply wires to fixture wires using wire-nuts (13) provided.
- F. Replace wireway channel (4) in housing (3). NOTE: wireway channel (4) must be secure under housing (3) edge and mounting tabs (19).
- G. Install bulb in sockets.
- H. Reinstall glass diffuser (10).

BULB REPLACEMENT

- A. CAUTION-RISK OF SHOCK - Turn off power to the fixture.
- B. CAUTION-Allow fixture and bulb to cool before handling.
- C. Remove glass diffuser by sliding out of retaining clips. NOTE: Set aside in a safe place.
- D. Remove existing bulb from socket.
- E. Install new bulb in socket.
- F. Reinstall glass diffuser by sliding into retaining clips.